

INDY XL

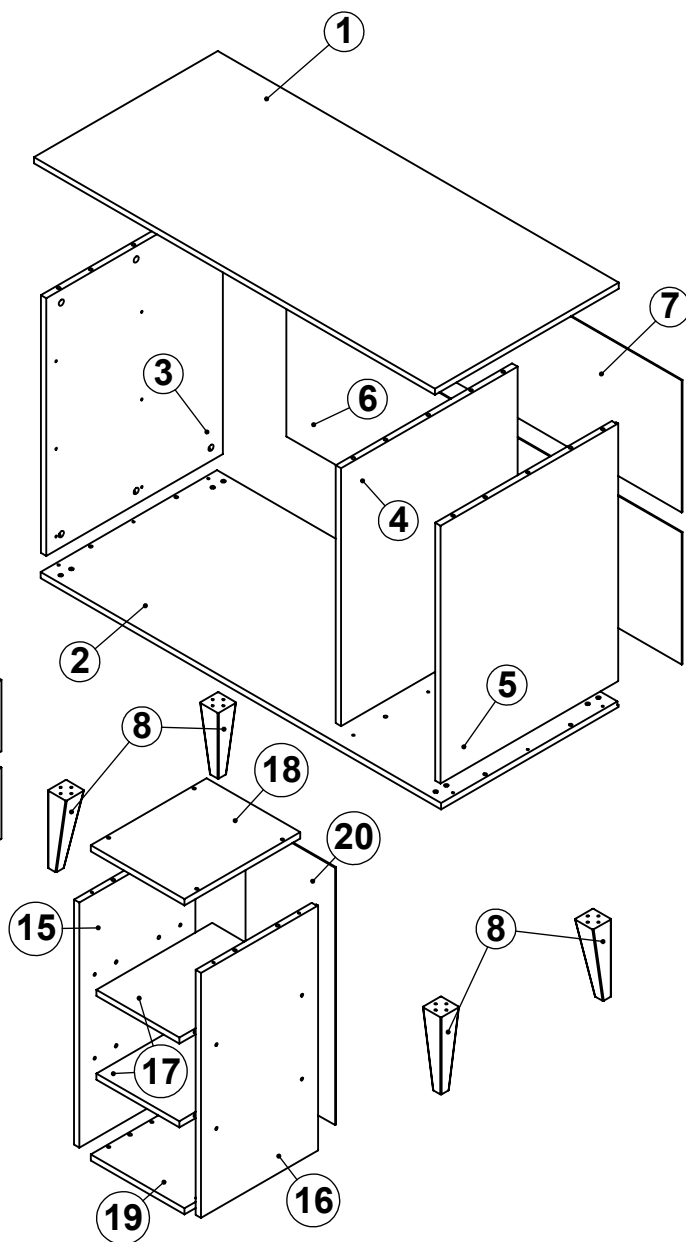
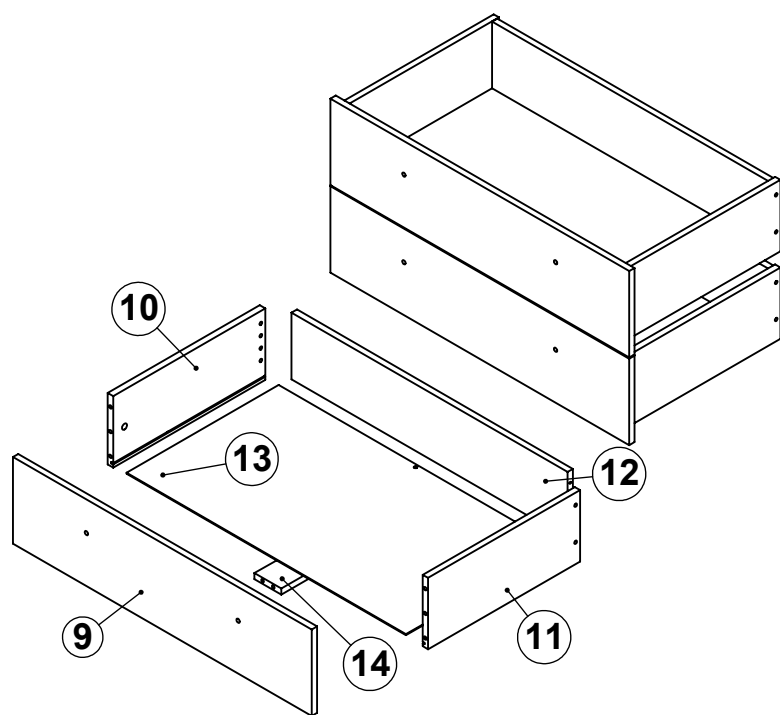
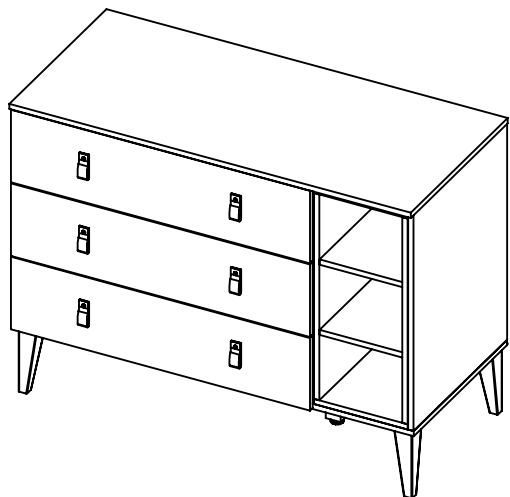
002 / 15-12-2024


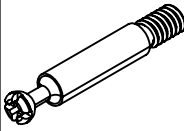
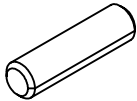
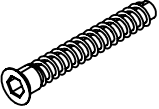
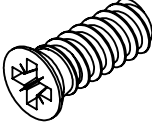
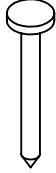

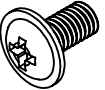
COMMODE WITH 3DRAWERS

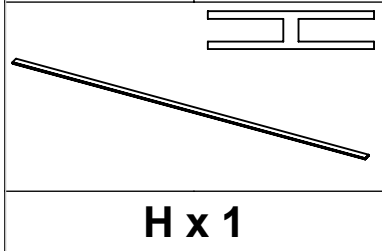
ART CODE: 147 19 503

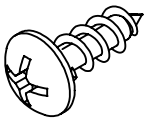
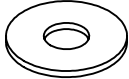
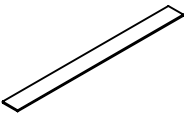
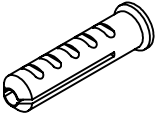
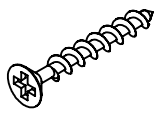
bopita[®]

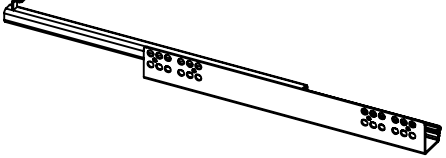
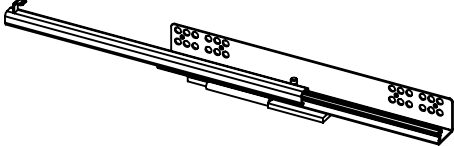
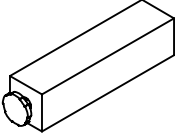
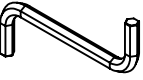
"BOPITA"
LION INTERNATIONAL B.V.
ENERGIEWEG 1
6662 NS ELST GLD
NEDERLAND
www.bopita.com

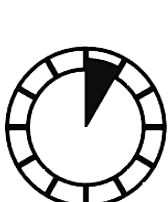
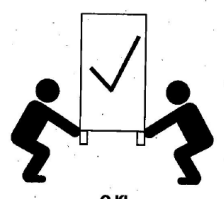
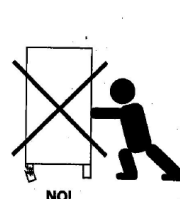
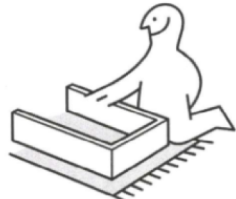
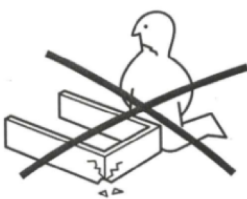
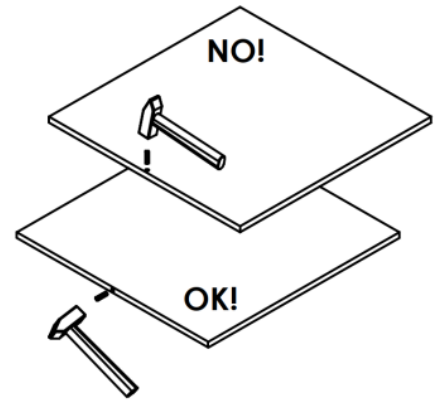
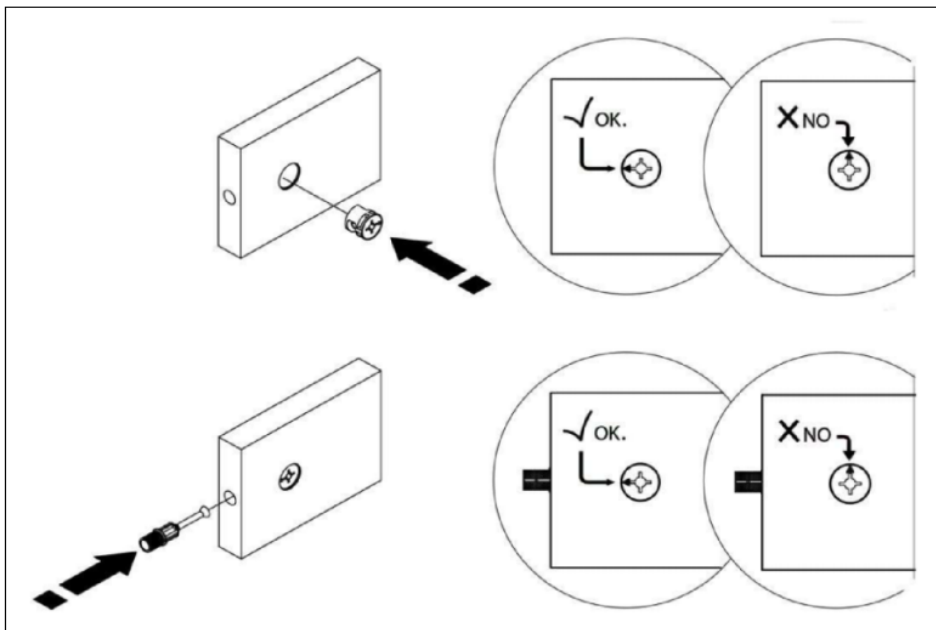


		8x30 	7x50 	6x13 			
A x 27	B x 27	C x 55	D x 42	E x 12	F x 68	G1 x 6	G2 x 6

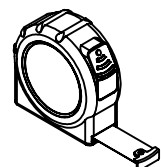
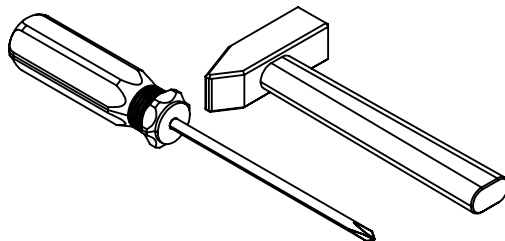
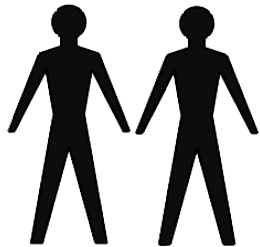


				5x45 
I1 x 1	I2 x 2	I3 x 1	J x 1	K x 1

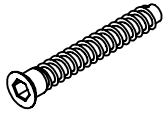
			
L x 3	M x 3	N x 1	IMBUS



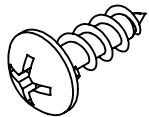
75 min.



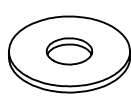
STEP - 3



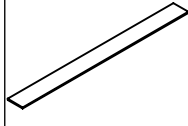
D x 9



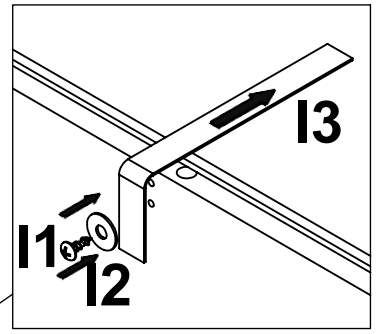
I 1 x 1



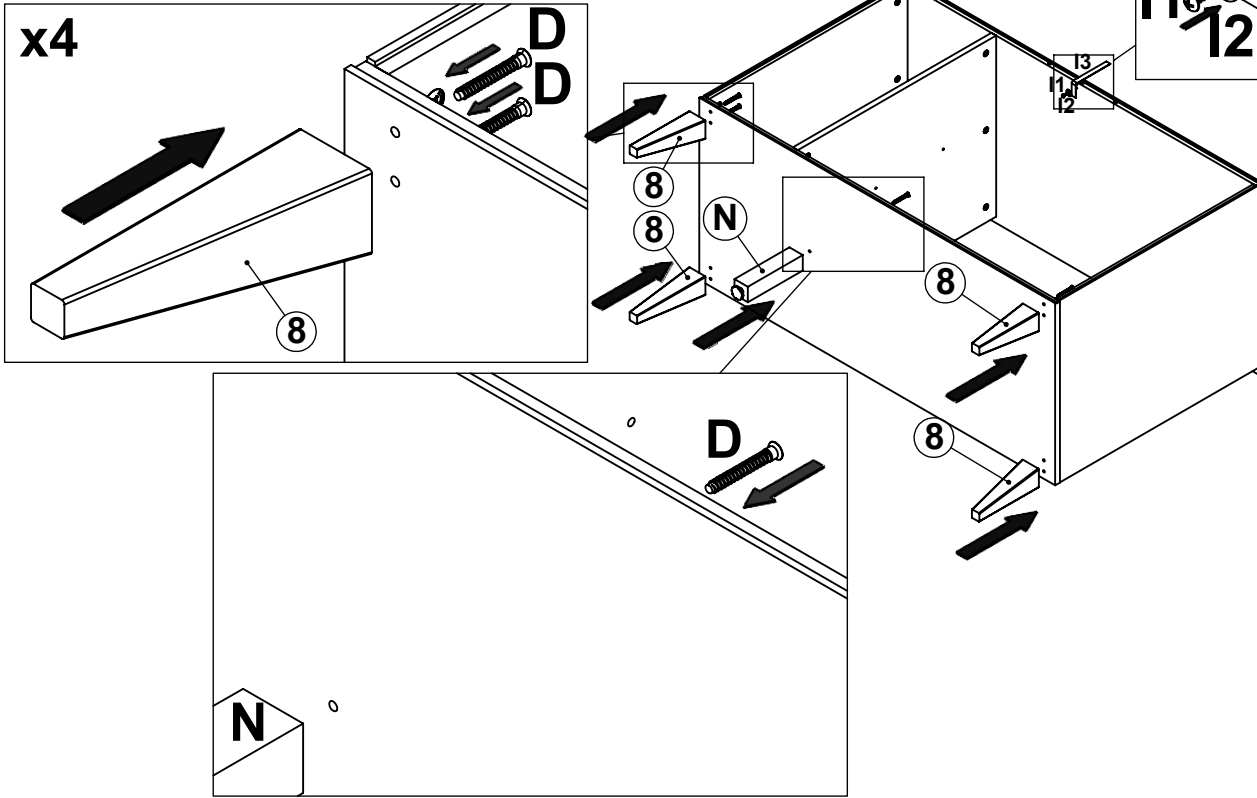
I 2 x 1



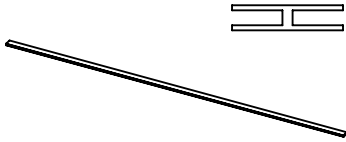
I 3 x 1



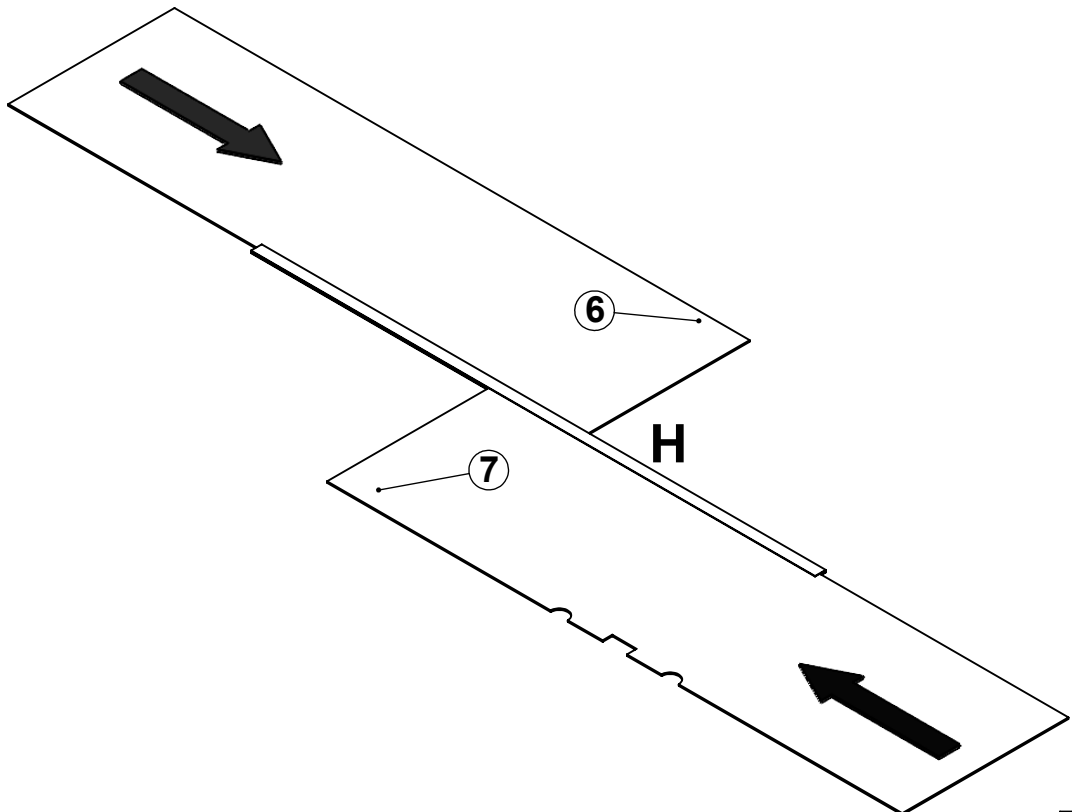
x4



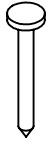
STEP - 4



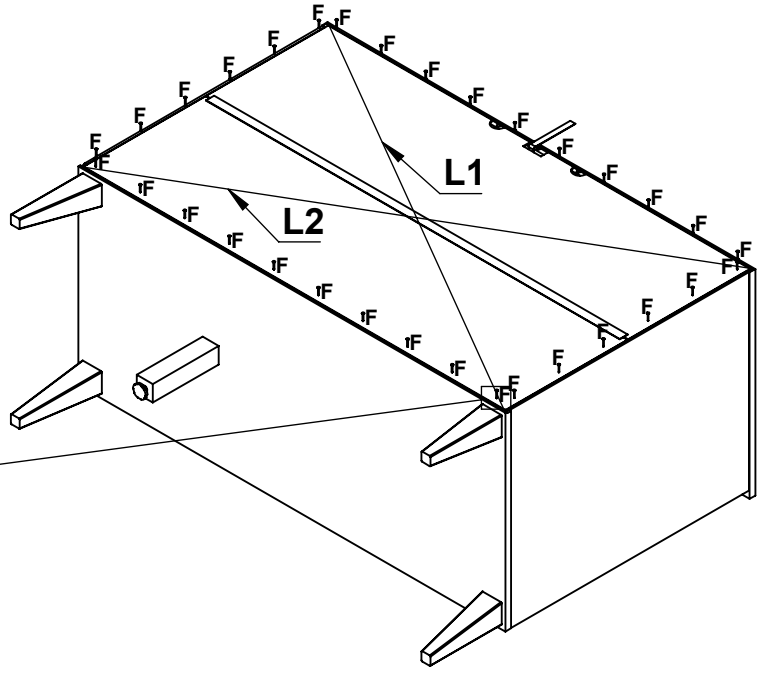
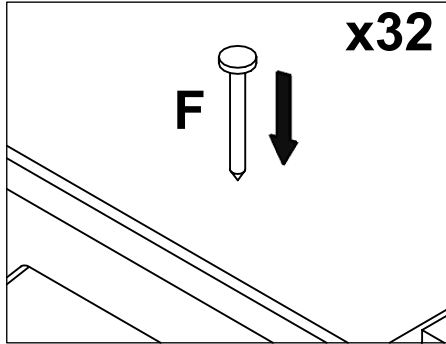
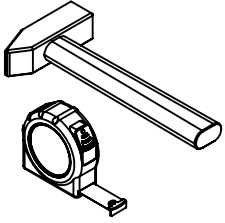
H x 1



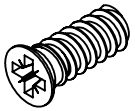
STEP - 5



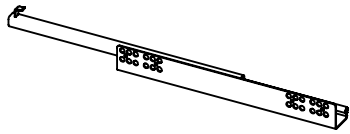
Fx32



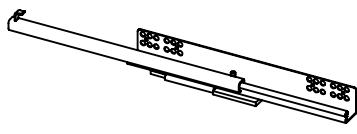
STEP - 6



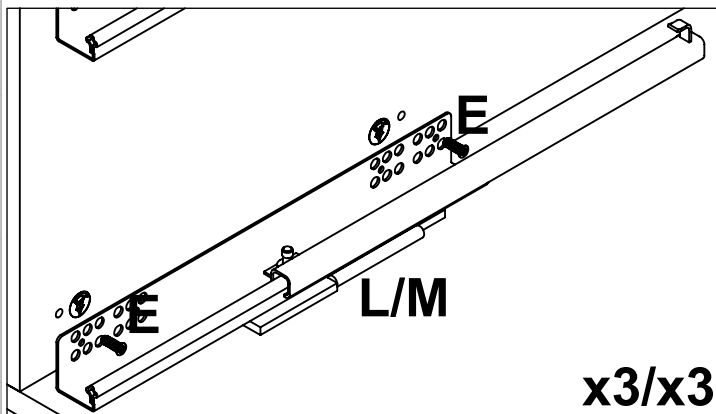
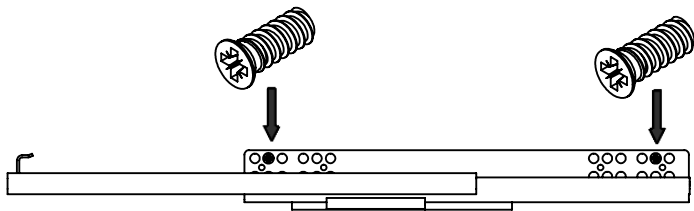
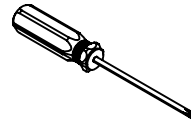
Ex12



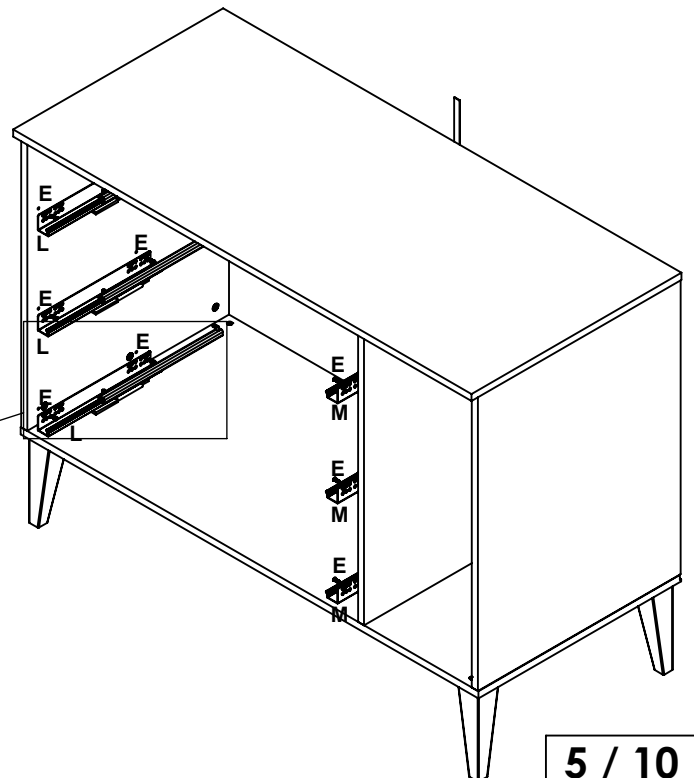
Lx3



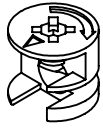
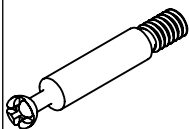

Mx3

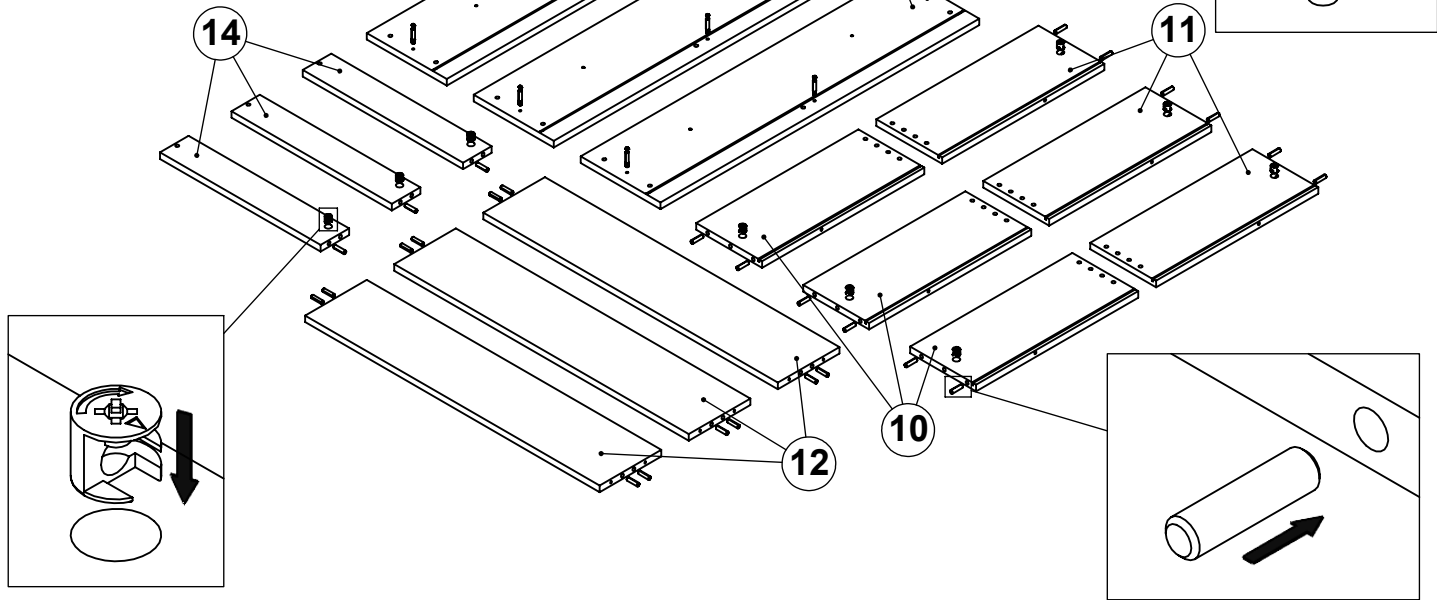
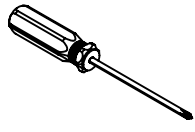


x3/x3

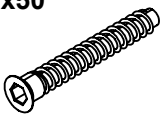

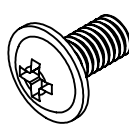


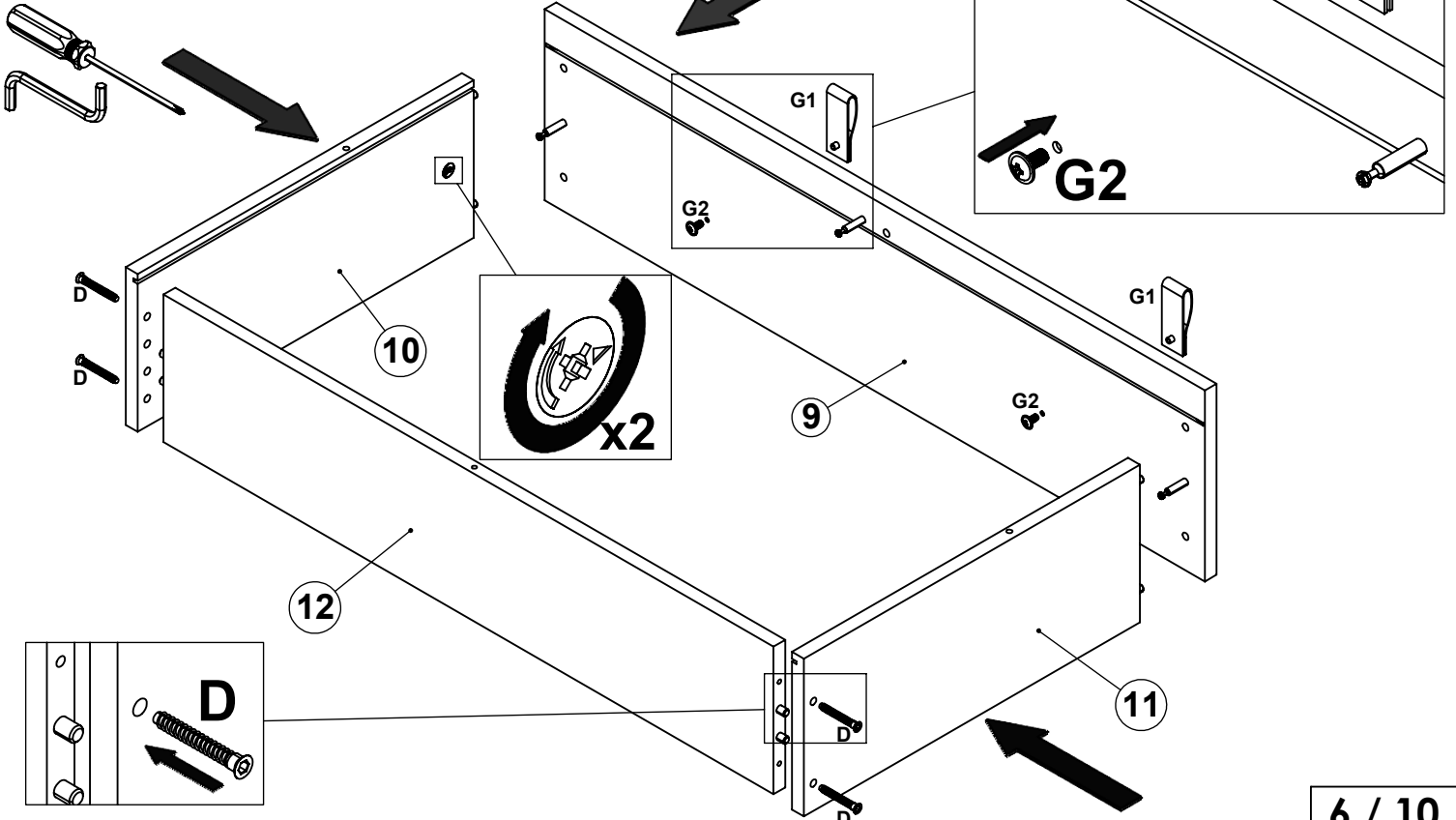
STEP - 7

		
Ax9	IBx9	Cx27



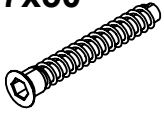
STEP - 8

		
Dx12	G1x6	G2x6

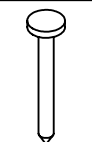


STEP - 9

7x50

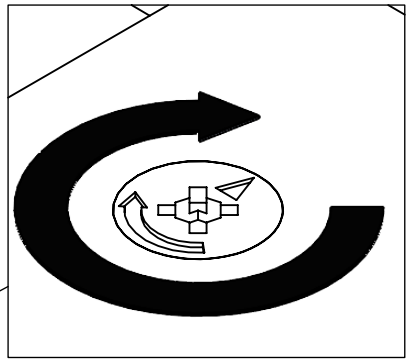


Dx3

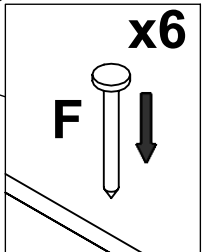
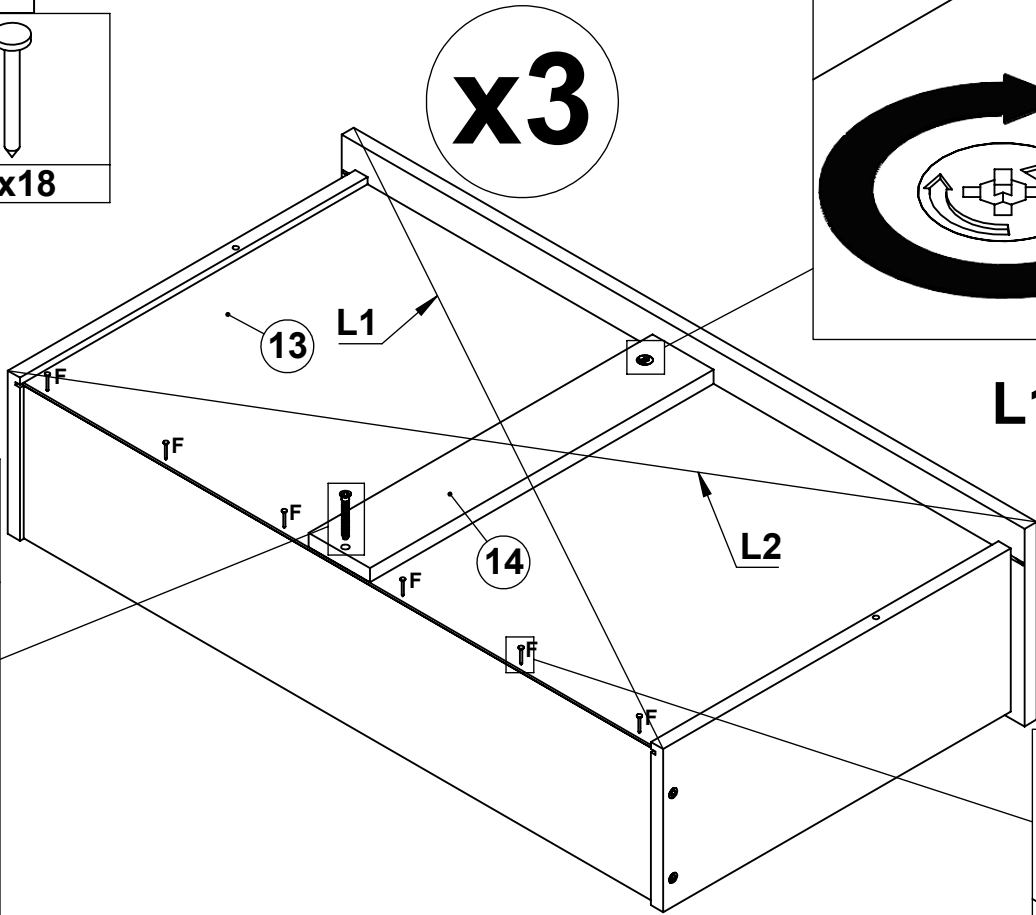
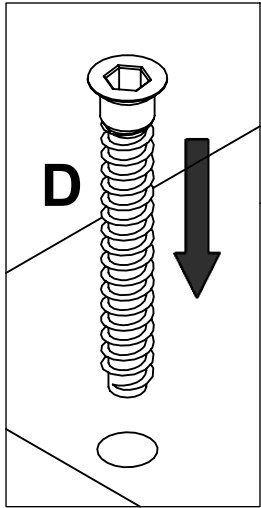
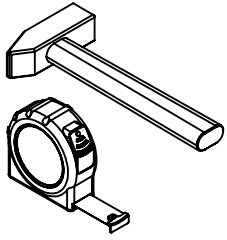


Fx18

x3

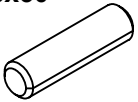


L1=L2

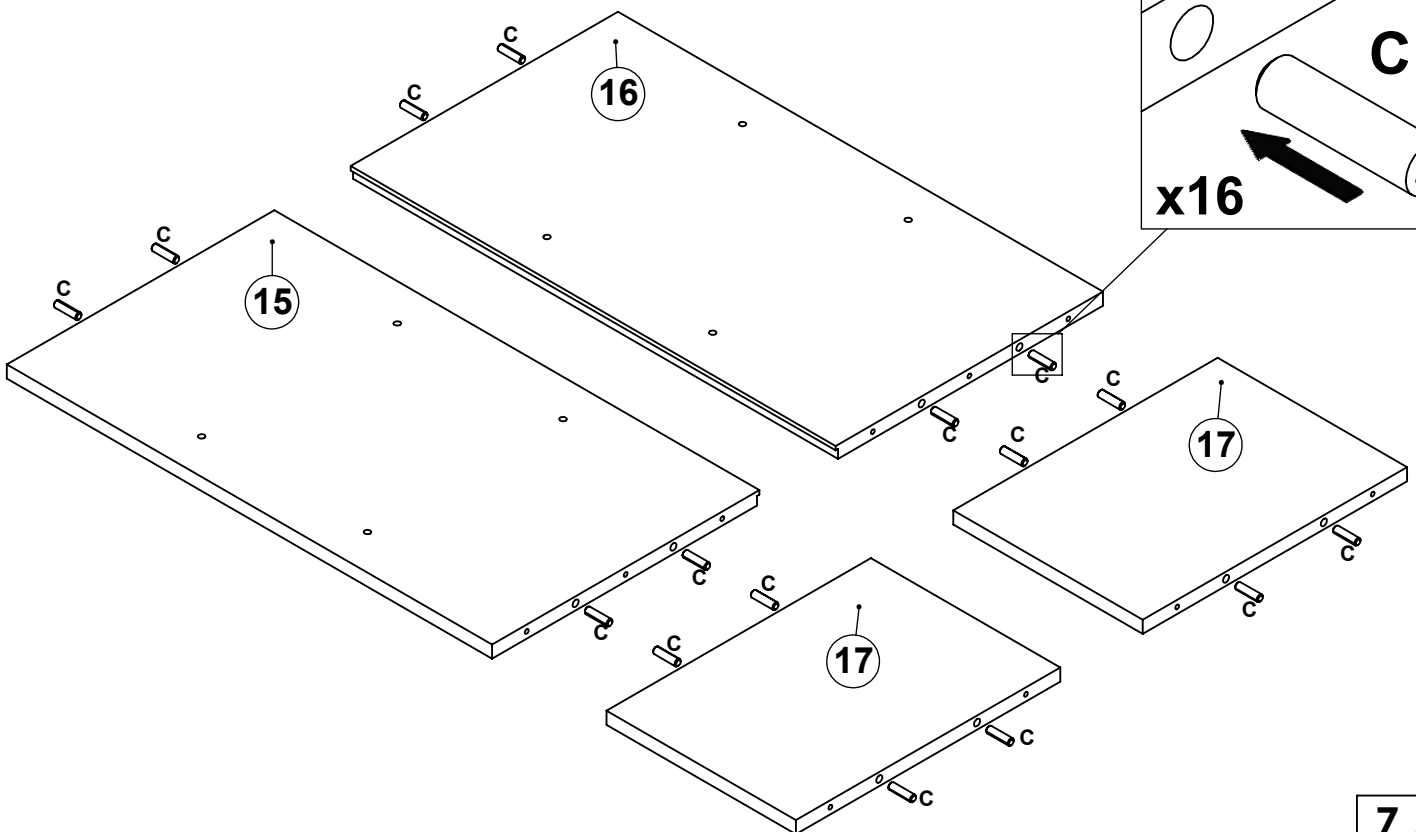
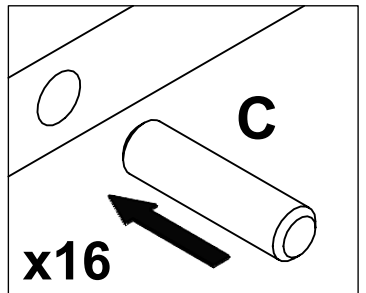


STEP - 10

8x30

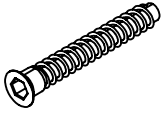


Cx16

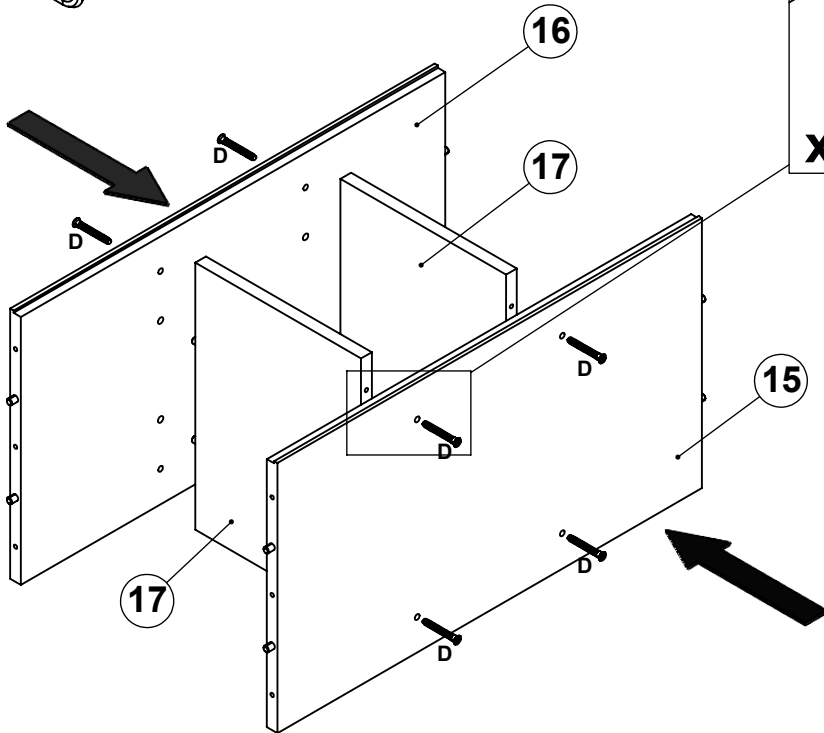
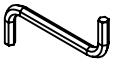


STEP - 11

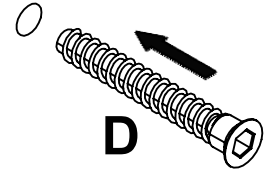
7x50



Dx8

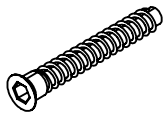


x8

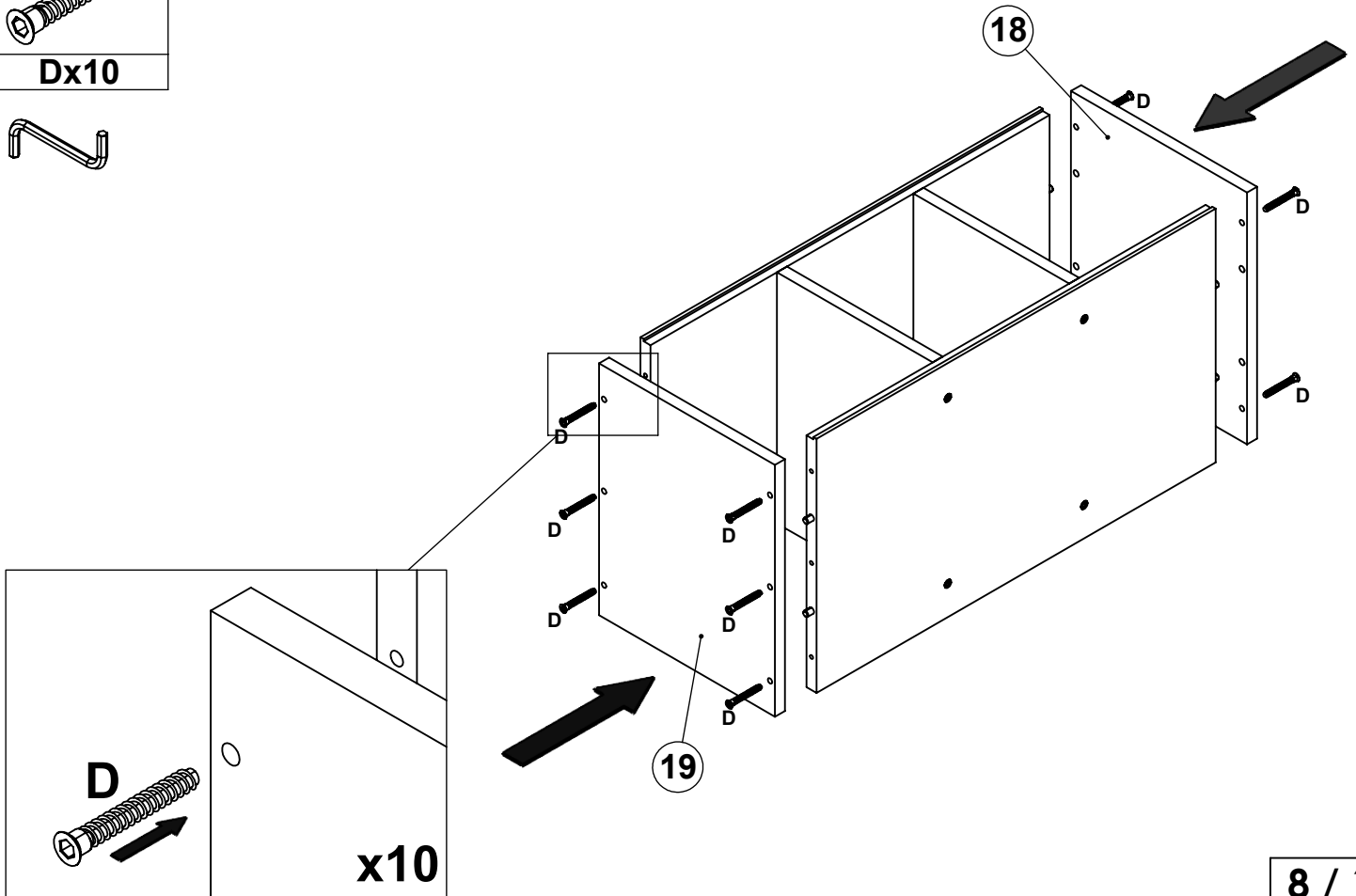
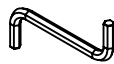


STEP - 12

7x50



Dx10

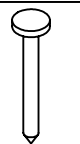


18

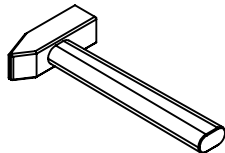
19

x10

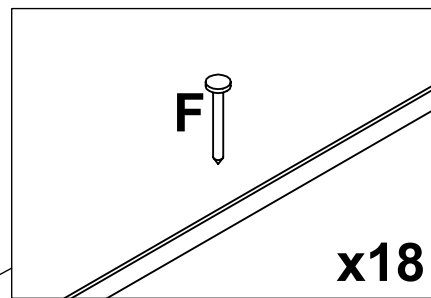
STEP - 13



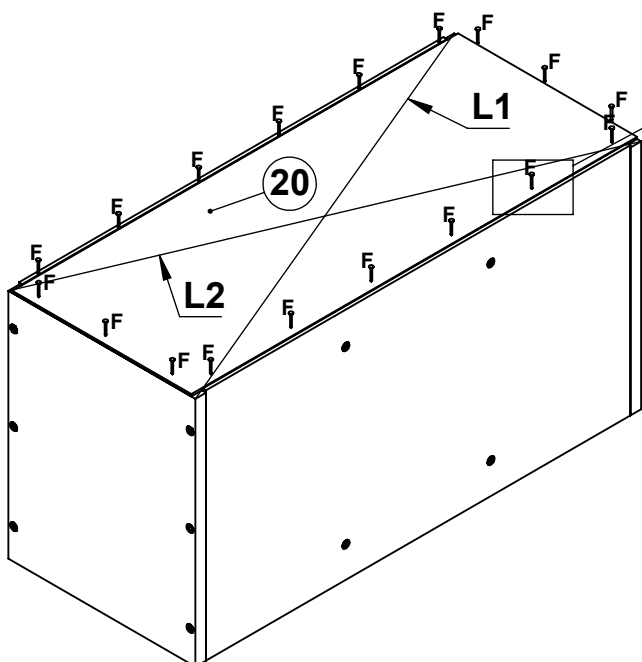
Fx18



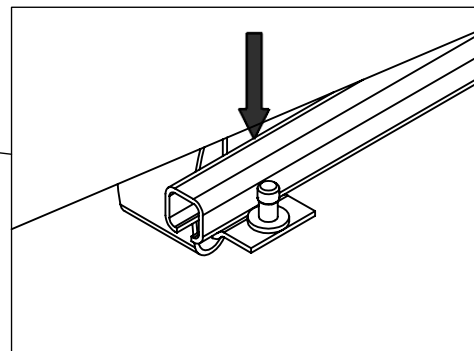
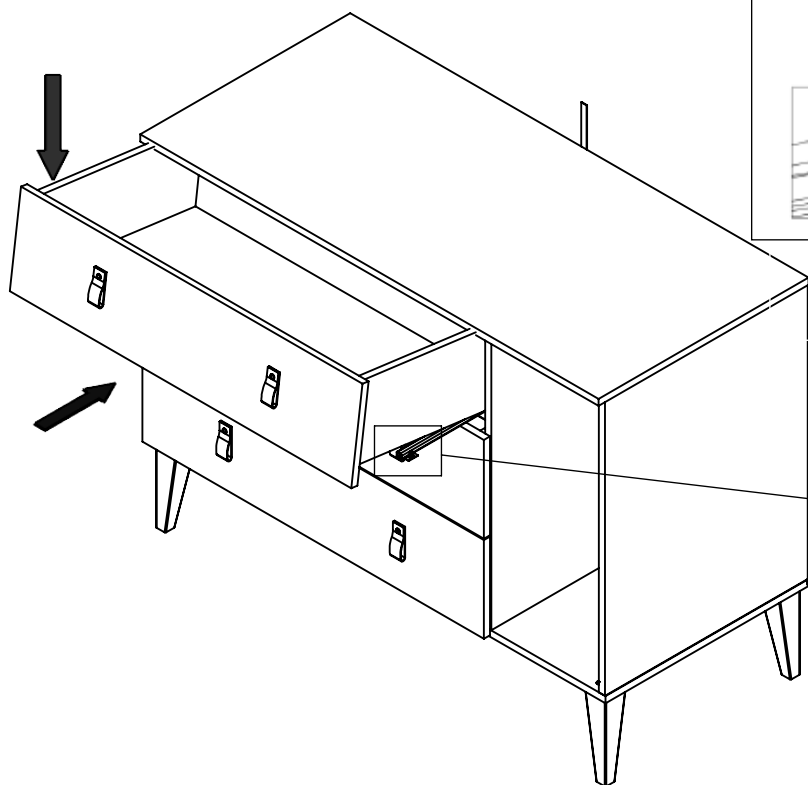
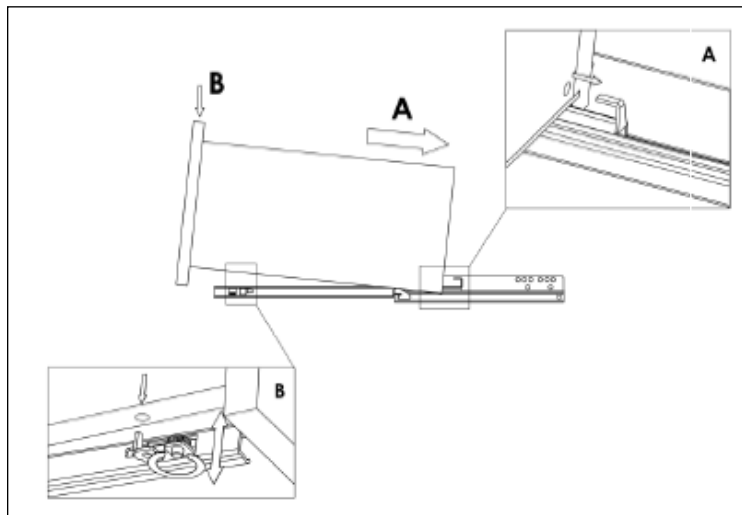
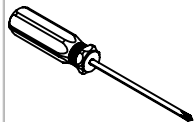
L1=L2



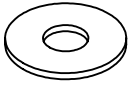
x18



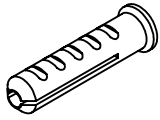
STEP - 14



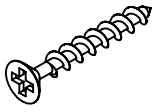
STEP - 15



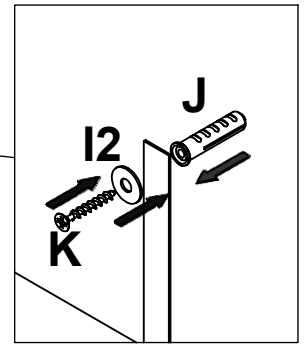
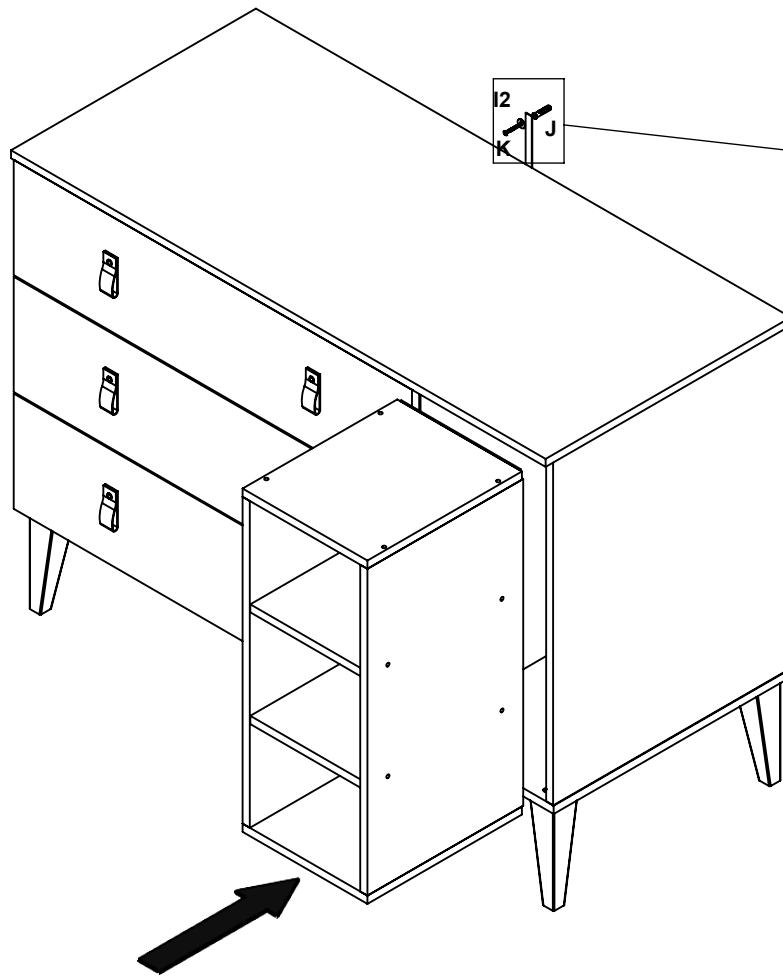
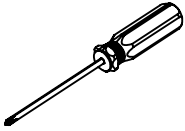
I2x1



Jx2



Kx1



QC-CODE

(UK) for service requests

(NL) voor service vragen

(FR) pour les demandes de service

(DE) für Service Anfragen

(ES) para consultas de servicio

(IT) per richieste di assistenza

